

China PEOPLE pneumatic component

Pneumatic valve , Solenoid valve , Pneumatic component , China Pneumatic, Cylinders



World Machine 500 / China Top 500 / China Famous Trademark / China Top Brand

- PEOPLE Pneumatic
- Product
- Valves
- Cylinder
- Pneumatic Component
- Air Preparation
- Pneumatic accessories
- News
- Tech Support
- Contact Us

Cm2 Stainless Steel Mini Cylinder

Cylinders > pneumatic cylinder > Cm2 Stainless Steel Mini Cylinder

CM2 Stainless Steel Mini Cylinder 's PDF file

NAME: CM2 Series Stainless Steel Mini Cylinder

Model

CM2: Mini Cylinder

CDM2: With manget

MP2:Duo-Ear bracket

MP4: Single ear bracket

MF8: Rectangle Flange Type

MS3: Axial foot type

Bore: 32

Stroke :100

Order code for Cm2 Stainless Steel Mini Cylinder

CM2 × 32 × 100

CM2:Mini Cylinder Bore
 CDM2:With manget

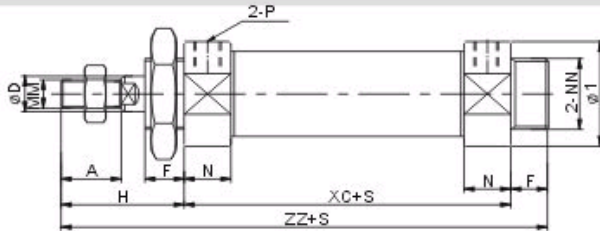
Stroke

Mounting type

MP2:Duo-Ear bracket
 MP4:Single Ear bracket
 MF8:Rectangle Flange Type
 MS3:Axial foot type

Feature:Advance technology,Lower friction

Dimension for Cm2 Stainless Steel Mini Cylinder



Specifications for Cm2 Stainless Steel Mini Cylinder:

Pneumatic equipment directory

- PEOPLE group
- Product introduction
- Pneumatic components
- Pneumatic valves
- Solenoid valve
- Pneumatic cylinders
- Air preparation
- Pneumatic Fittings
- Pneumatic accessories
- Pneumatic equipments
- Pneumatic parts
- Industry News
- Technical support
- Pneumatic standards
- Events
- Contact Us

People website search

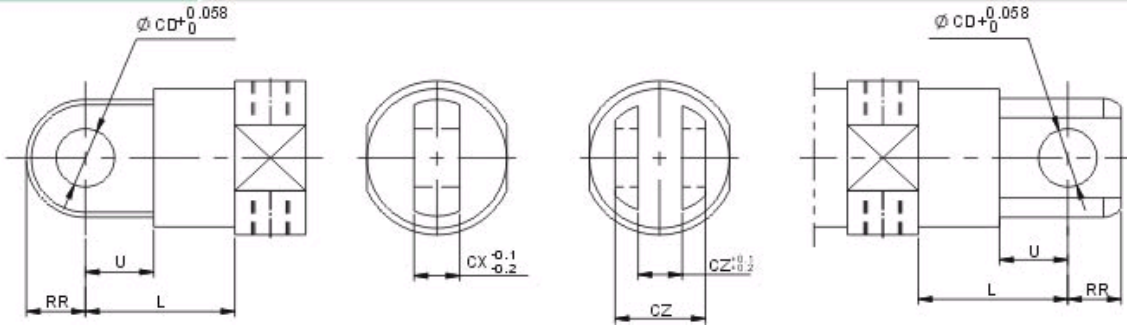
Pneumatic products

- S Air Treatment Component
- A Air Treatment Component

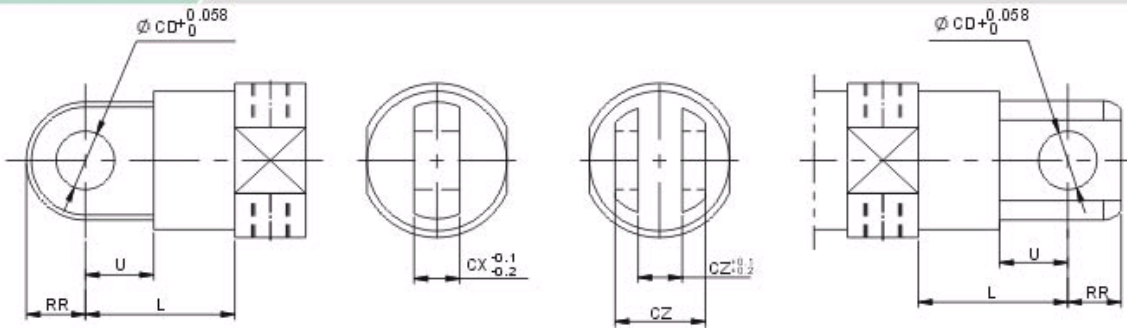
New products

Bore	Stroke	A	D	F	H	I	MM	N	NN	P	XC	Z
20	300	18	10	13	41	28.5	M8	15	M20 X1.5	1/8"	63	117
25	300	22	12	13	45	33.5	M10 X1.25	15	M26 X1.5	1/8"	63.5	121.5
30	300	22	12	13	45	40.5	M10 X1.25	15	M26 X1.5	1/8"	63.5	121.5
40	300	24	16	16	50	49	M14 X1.5	21	M32X2	1/4"	87	154

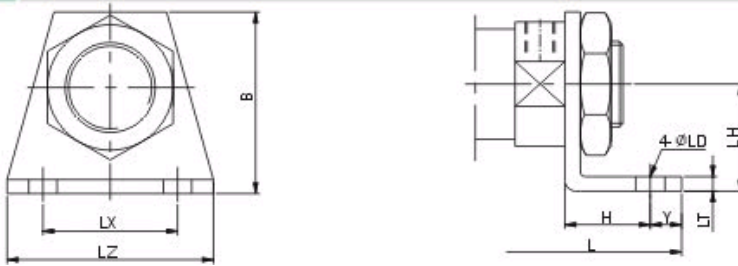
MP4 Single Ear bracket Dimension / Mp2: Duo-Ears bracket Dimension:



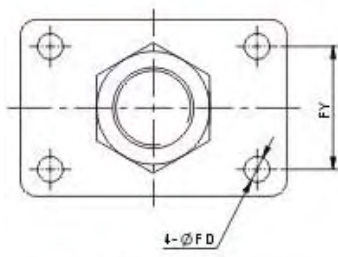
Applicable bore	MP4 Eye bracket			MP2 Duo-Eyes bracket		
	L	U	RR	$\varnothing CD$	CX	CZ
20	30	14	9	9	10	19
25	30	14	9	9	10	19
32	30	14	9	9	10	19
40	39	18	11	10	15	30



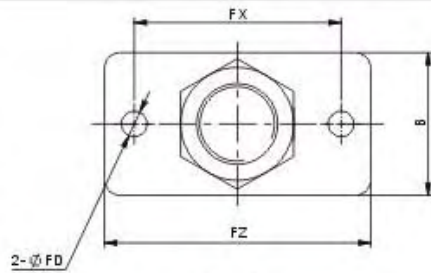
Ms3 Axial foot Dimension



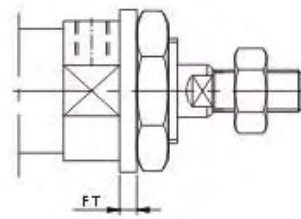
Mf8 Rectangle type flange Dimension



Ø 40



Ø 20- Ø 32



Applicable bores	Ms3Axial foot type									MfeRectangle type flange					
	X	Y	φLD	LX	LZ	LH	LT	B	L	FD	FY	FX	FZ	B	FT
20	20	8	6.8	40	55	25	3.2	40	103	7	-	60	75	34	4
25	20	8	6.8	40	55	28	3.2	47	103.5	7	-	60	75	40	4
32	20	8	6.8	40	55	28	3.2	47	103.5	7	-	60	75	40	4
40	23	10	7	55	75	30	3.2	54	133	7	36	60	82	52	5

Tags: [pneumatic cylinder](#)

[Pneumatic cylinders](#) | [TrackBack](#)

« [4A300 Series Air Operated Valve](#)

[CJ2 Series Stainless Steel Mini Cylinder](#) »

✚ Related pneumatic products:

[MA/MAC Series Stainless Steel Mini Cylinder](#)