

# China PEOPLE pneumatic component

Pneumatic valve , Solenoid valve , Pneumatic component , China Pneumatic, Cylinders



World Machine 500 / China Top 500 / China Famous Trademark / China Top Brand

- [PEOPLE Pneumatic](#)
- [Product](#)
- [Valves](#)
- [Cylinder](#)
- [Pneumatic Component](#)
- [Air Preparation](#)
- [Pneumatic accessories](#)
- [News](#)
- [Tech Support](#)
- [Contact Us](#)

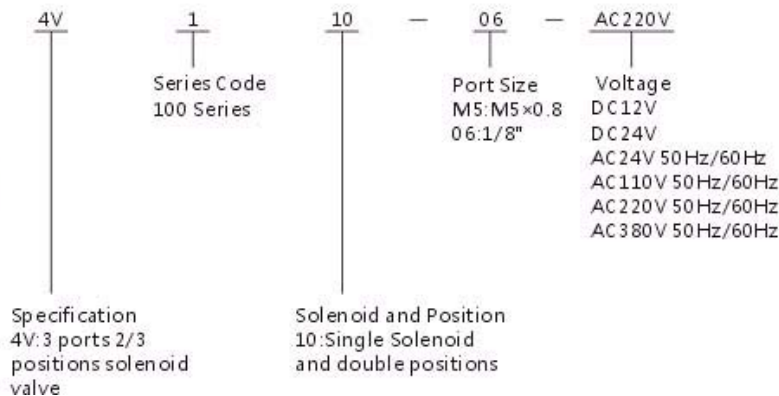
## 4V100 Series Solenoid Valve

[Pneumatic valves](#) >> [Solenoid Valve](#) > 4V100 Series Solenoid Valve



4V100 Series Solenoid Valve 's PDF file

### Order code for 4V100 Series Solenoid Valve



### Specifications for 4V100 Series Solenoid Valve

Model	4V110-06	4V210-08	4V310-10	4V410-15
Position number	5Port 2 positions			
Orifice size	12mm <sup>2</sup> (Cv=0.67)	16mm <sup>2</sup> (Cv=0.89)	30mm <sup>2</sup> (Cv=1.67)	50mm <sup>2</sup> (Cv=2.79)
Port size	1/8"	Supplyport=Cylinder port=1/4" Exhaust port=1/8"	Supplyport=Cylinder port=3/8" Exhaust port=1/4"	1/2"
Fluid	Clean Air			
Action Style	Internal pilot			
Working pressure range	0.15-0.8Mpa			
Proof pressure	1.2Mpa			
Ambient temperature	-5 ~ 60°C			
Voltage change range	±10%			
Power consumption	AC380V:2.5VA AC220V:2.0VA AC110V:2.5VA AC24V:3.5VA DC24V:3.0W DC12V:2.5W			
Insulation and Protection	IP65(DIN 40050)			
Frequency	5/s			
Response time	0.05sec			

Overall Dimension for 4V100 Series Solenoid Valve (mm)

### Pneumatic equipment directory

- [PEOPLE group](#)
- [Product introduction](#)
- [Pneumatic components](#)
- [Pneumatic valves](#)
- [Solenoid valve](#)
- [Pneumatic cylinders](#)
- [Air preparation](#)
- [Pneumatic Fittings](#)
- [Pneumatic accessories](#)
- [Pneumatic equipments](#)
- [Pneumatic parts](#)
- [Industry News](#)
- [Technical support](#)
- [Pneumatic standards](#)
- [Events](#)
- [Contact Us](#)

### People website search

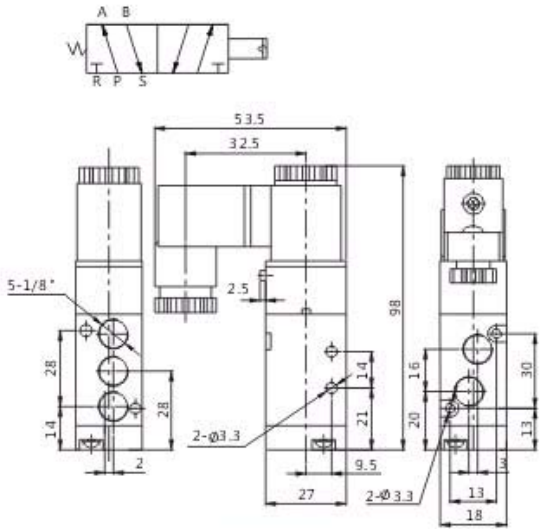
 

### Pneumatic products

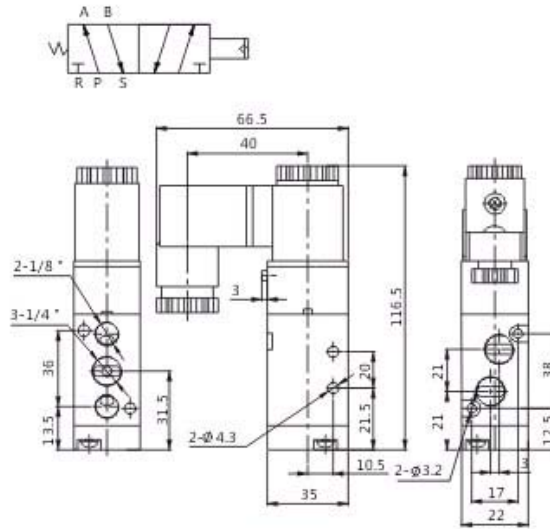
- [S Air Treatment Component](#)
- [A Air Treatment Component](#)

### New products

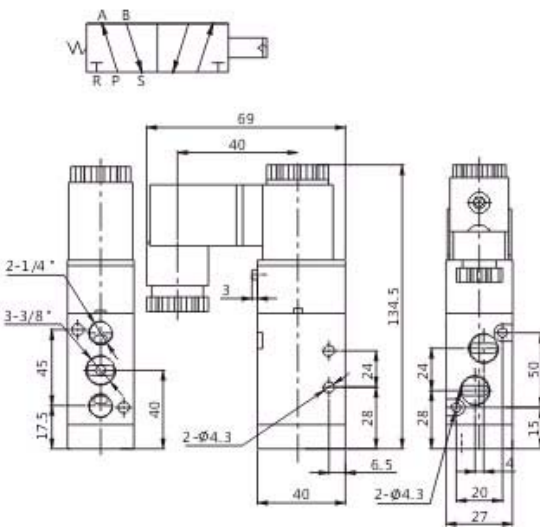
4V110-06



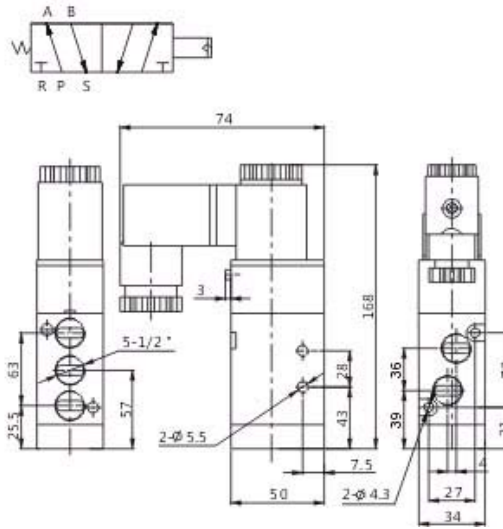
4V210-08



4V310-10



4V410-15



**4V solenoid valve**, pneumatic component for industrial and process automation.

Port Size: 1/8"-1/2"

Working Medium: Air

Action Type: Internal Pilot

Working Pressure: 0.15-0.8Mpa

Power: DC12V DC24 AC24V AC110V AC220V AC380V

Tags: solenoid valve 4V solenoid valve

[Solenoid valve](#) | [TrackBack](#)

[« 4V200 Series Solenoid Valve](#)

[Solenoid Valve »](#)

**Related pneumatic products:**

- VF Series Solenoid Valve
- 2V Series Solenoid Valve
- 2W Series Solenoid Valve
- 3V1 Series Solenoid Valve
- 3V100 Series Solenoid Valve
- 3V200 Series Solenoid Valve
- 3V300 Series Solenoid Valve
- Solenoid Valve