

China PEOPLE pneumatic component

Pneumatic valve , Solenoid valve , Pneumatic component , China Pneumatic, Cylinders



World Machine 500 / China Top 500 / China Famous Trademark / China Top Brand

- [PEOPLE Pneumatic](#)
- [Product](#)
- [Valves](#)
- [Cylinder](#)
- [Pneumatic Component](#)
- [Air Preparation](#)
- [Pneumatic accessories](#)
- [News](#)
- [Tech Support](#)
- [Contact Us](#)

4V200 Series Solenoid Valve

[Pneumatic valves](#) >> [Solenoid Valve](#) > 4V200 Series Solenoid Valve



4V200 Series Solenoid Valve 's PDF file

Order code for 4V200 Series Solenoid Valve



4V	2	20	— 08 —	AC 220V
Specification 4V:3 ports 2/3 positions solenoid valve	Series Code 200 Series	Solenoid and Position 20:Single Solenoid and double positions	Port Size 06:1/8" 08:1/4"	Voltage DC12V DC24V AC24V 50Hz/60Hz AC110V 50Hz/60Hz AC220V 50Hz/60Hz AC380V 50Hz/60Hz

Specifications for 4V200 Series Solenoid Valve

Model	4V110-06	4V220-08	4V320-10	4V420-15
Position number	5Ports 2 positions			
Effective sectional area	12mm ² (Cv=0.67)	16mm ² (Cv=0.89)	30mm ² (Cv=1.76)	50mm ² (Cv=2.79)
Port size	1/8"	Supplyport=Cylinder port t=1/4" Exhaust port=1/8"	Supplyport=Cylinder port t=3/8" Exhaust port=1/4"	1/2"
Fluid	Clean Air			
Action Style	Internal pilot			
Working pressure range	0.15-0.8Mpa			
Proof pressure	1.2Mpa			
Ambient temperature	-5 50°C			
Voltage change range	±10%			
Power consumption	AC380V:2.5VA AC220V:2.0VA AC110V:2.5VA AC24V:3.5VA DC24V:3.0W DC12V:2.5W			
Insulation and Protection	IP65			
Frequency	5/s			
Response time	0.05sec			

Overall Dimension for 4V200 Series Solenoid Valve (mm)

Pneumatic equipment directory

- [PEOPLE group](#)
- [Product introduction](#)
- [Pneumatic components](#)
- [Pneumatic valves](#)
- [Solenoid valve](#)
- [Pneumatic cylinders](#)
- [Air preparation](#)
- [Pneumatic Fittings](#)
- [Pneumatic accessories](#)
- [Pneumatic equipments](#)
- [Pneumatic parts](#)
- [Industry News](#)
- [Technical support](#)
- [Pneumatic standards](#)
- [Events](#)
- [Contact Us](#)

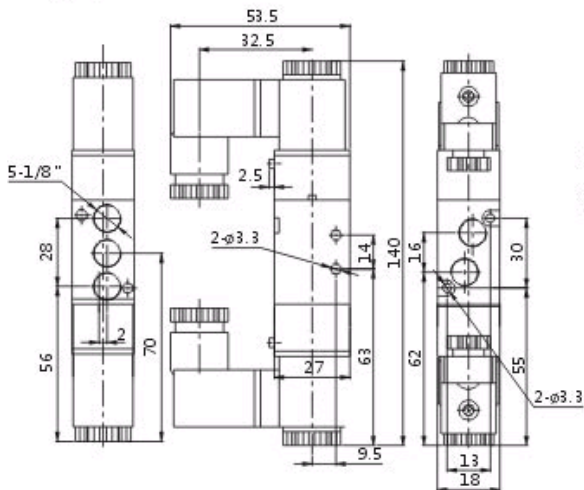
People website search

Pneumatic products

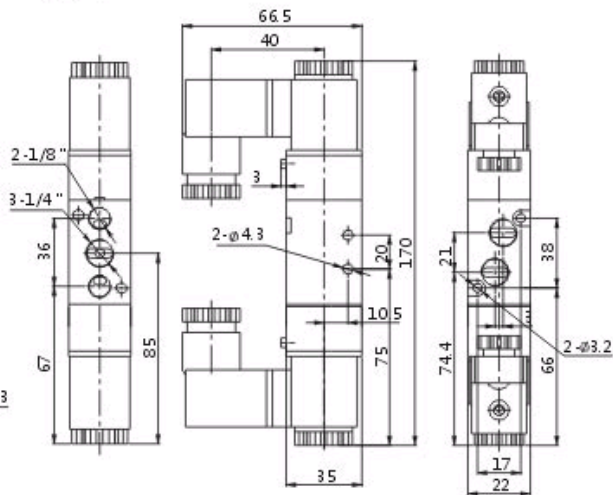
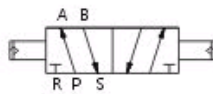
- [S Air Treatment Component](#)
- [A Air Treatment Component](#)

New products

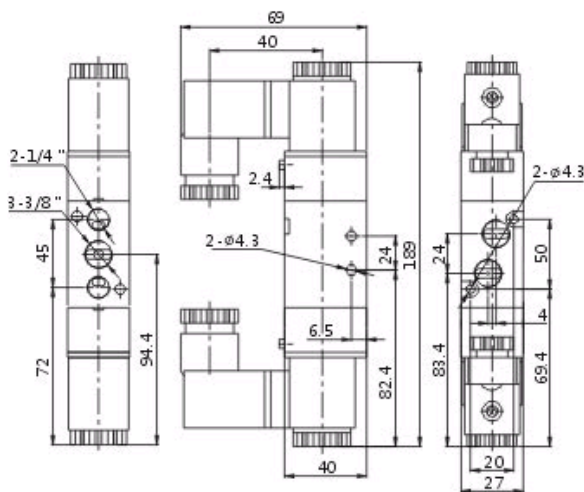
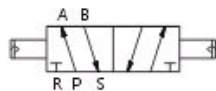
4V120-06



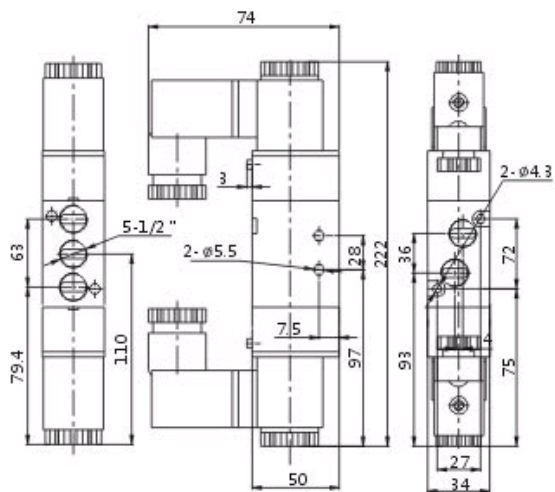
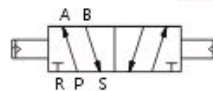
4V220-08



4V320-10



4V420-15



Solenoid Valve Maintenance Notice:

1. Be sure to check up the [valve](#) before installation.
2. Before installation, please confirm the voltage connection and direction of the air flow are right.
3. Notice to be dustproof. It's best to install a silencer or speed control silencer in front of [solenoid valve](#).
4. metal grain, dust and oil stain in pipes and fittings must be washed neatly before connected.

Solenoid specifications

1. Allowable Voltage Range: $\pm 10\%$
2. Insulated Grade: Class B or Equivalent
3. Response Time: 0.05Sec

Tags: [solenoid valve](#) [4V solenoid valve](#)

[Solenoid valve](#) | [TrackBack](#)

[« 4V300 Series Solenoid Valve](#)

[4V100 Series Solenoid Valve »](#)

Related pneumatic products:

- [VF Series Solenoid Valve](#)
- [2V Series Solenoid Valve](#)
- [2W Series Solenoid Valve](#)